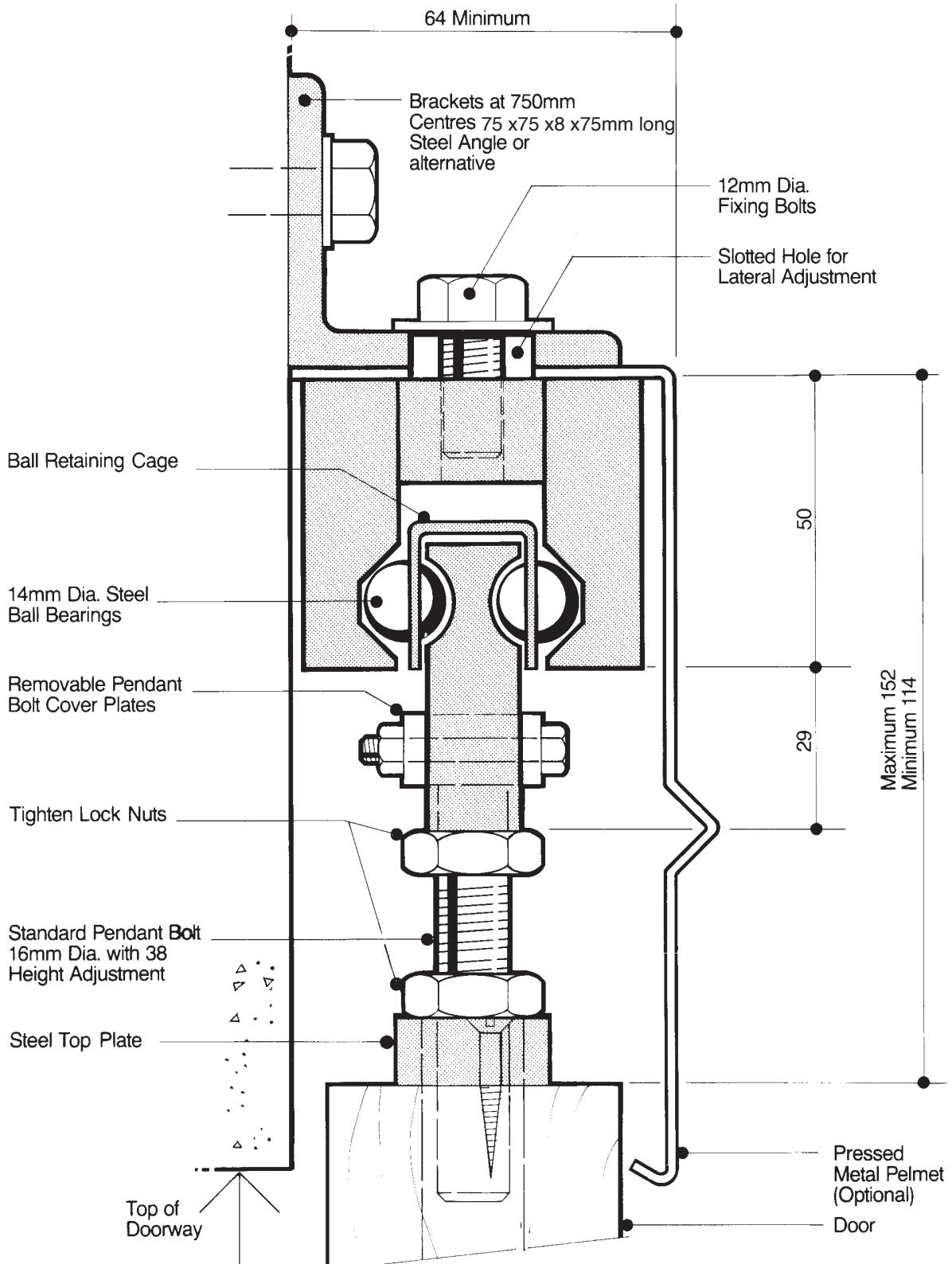


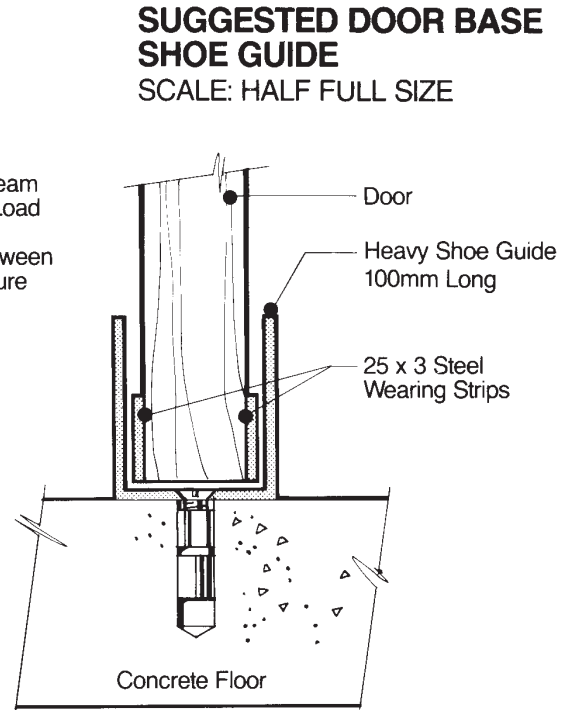
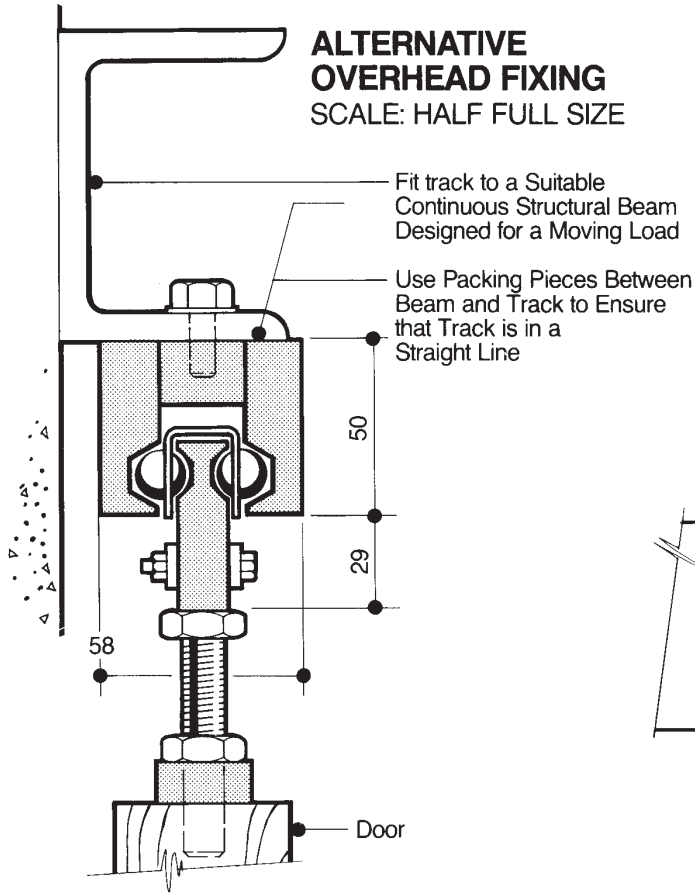
## FITZROY BALL BEARING DOOR TRACKS

### STEEL HEAVY S1000

Weight Capacity 1000 Kgs

#### FACE OF WALL FIXING SCALE: FULL SIZE





### ELEVATION

SCALE: QUARTER FULL SIZE

