

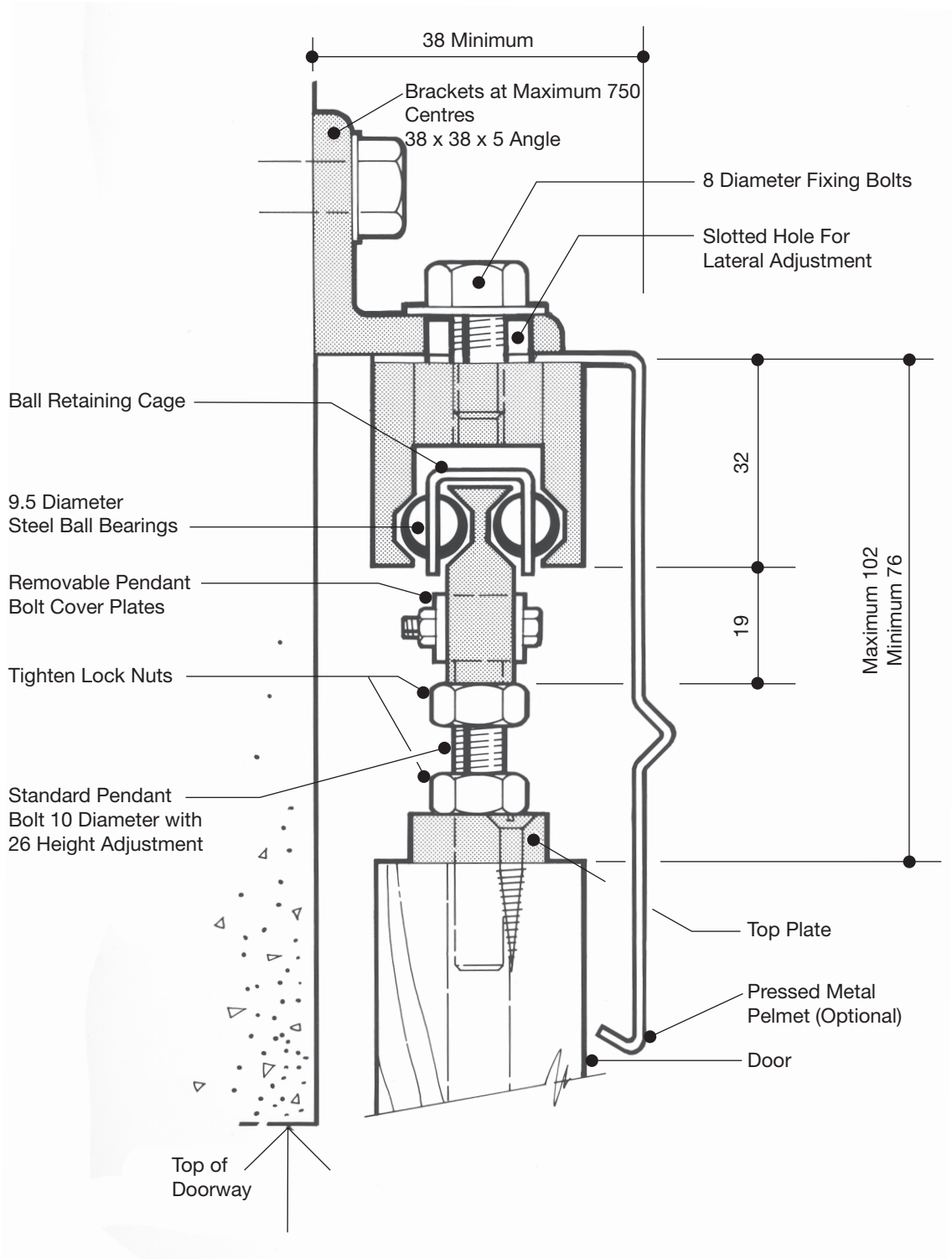
## S100 STEEL LIGHT

Weight Capacity - 100 Kgs

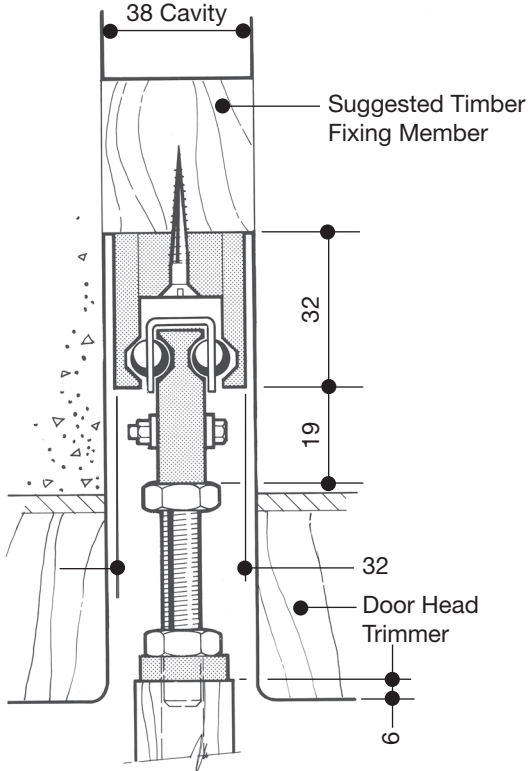
## FITZROY® BALL BEARING DOOR TRACKS

### FACE OF WALL FIXING

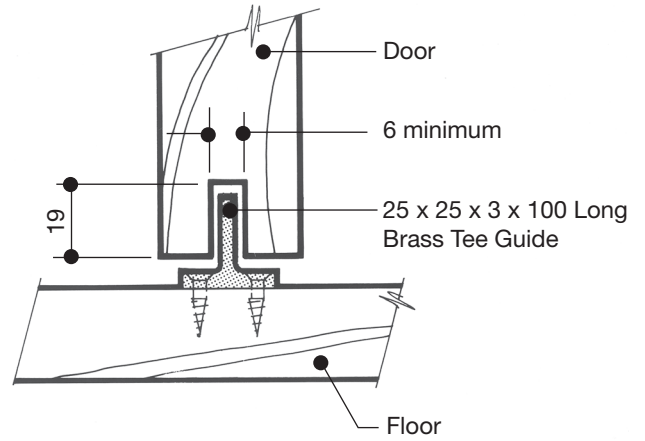
SCALE: FULL SIZE



## CAVITY WALL FIXING SCALE: HALF FULL SIZE



## DOOR BASE GUIDE SCALE: HALF FULL SIZE



## ELEVATION - CAVITY FIXING SCALE: QUARTER FULL SIZE

