

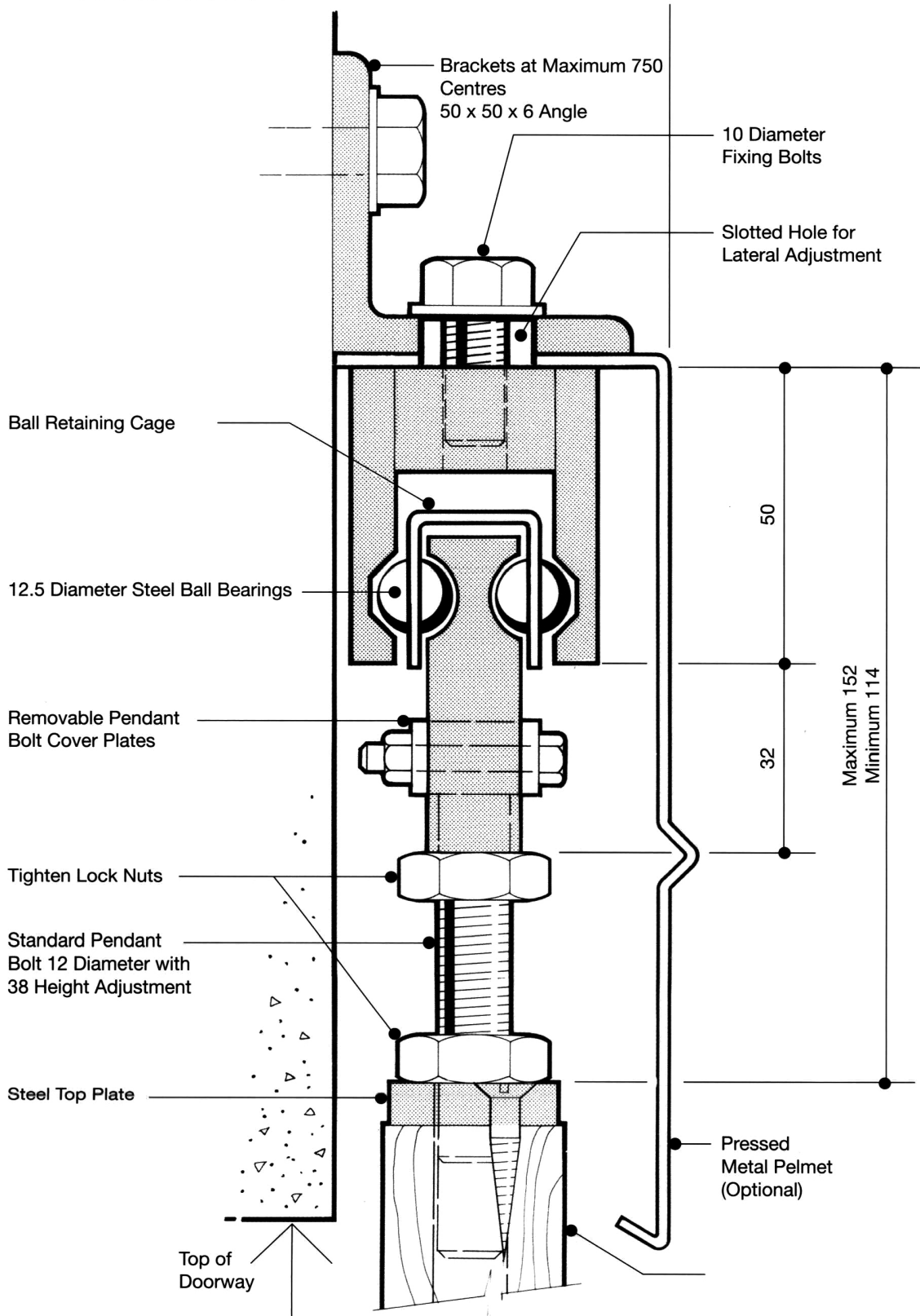
S500 STEEL MEDIUM

Weight Capacity - 500 Kgs

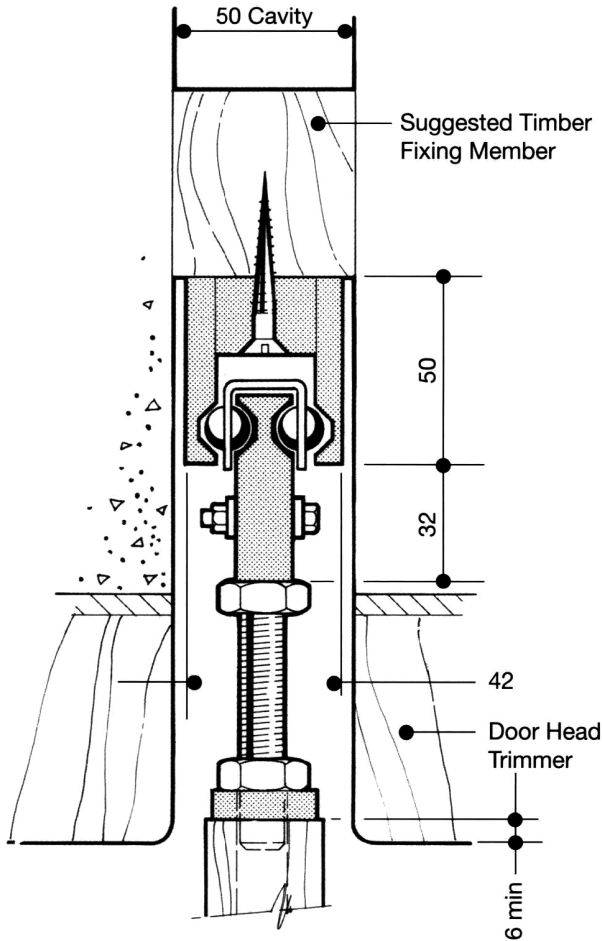
FITZROY® BALL BEARING DOOR TRACKS

FACE OF WALL FIXING

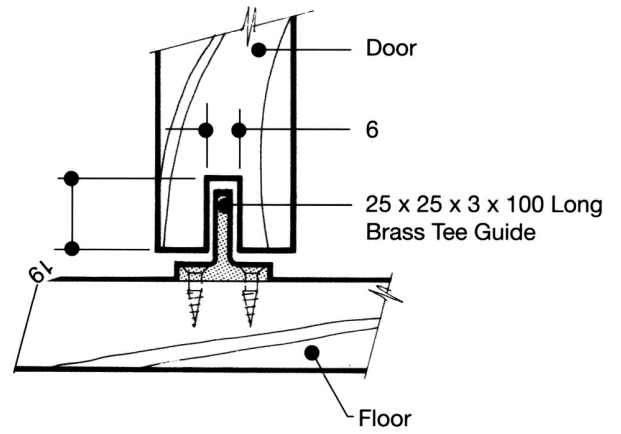
SCALE: FULL SIZE



CAVITY WALL FIXING SCALE: HALF FULL SIZE



DOOR BASE GUIDE SCALE: HALF FULL SIZE



ELEVATION - CAVITY FIXING SCALE: QUARTER FULL SIZE

